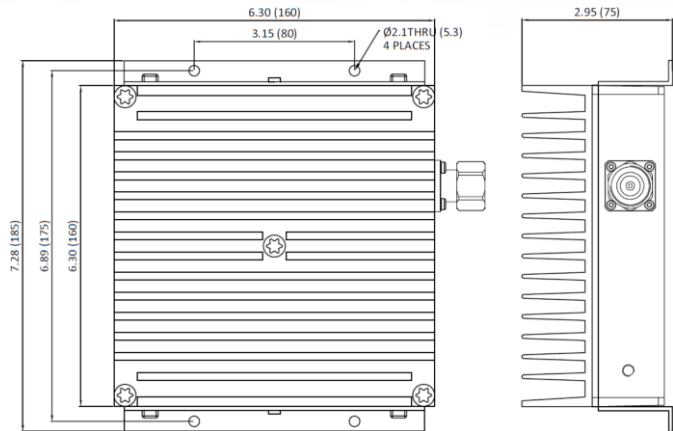


Broadband 100W Low PIM Termination Load

LPL-100-60

Broadband high power Low PIM Termination Load (340-6000 MHz) is utilized for DAS and DRAN Radios.

- Wideband Range 340-6000 MHz
- Low PIM -161dBc
- Outdoor IP67 Rated
- Low VSWR
- Wall Mountable
- 4.3-10 Male



Parameter	Specifications
Model	LPL-100-60
Freq. Range [MHz]	340-6000
Power Rating [W]	100
VSWR	1.25 @340-3800MHz, 1.29 @3800-6000MHz
PIM [dBc]	-161 @43dBm x 2 tones
IP Rating	IP67
Operating Temp. [°F]	-22 to +149
RF Connector	4.3-10 Male
Size (WxHxD)	7.28" x 6.30" x 2.95"
Weight [lb]	3

* Specifications are subject to change without prior notification.

Rev.3